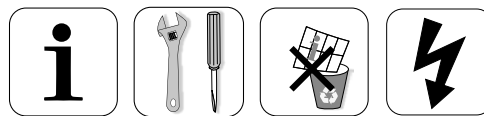




SERIES 90

ESBE
NO.1 IN HYDRONIC SYSTEM CONTROL

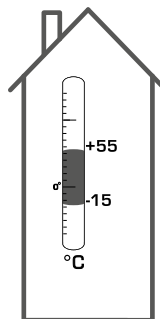
Mtrl.nr: 9814 01 50 • Ritn.nr: 3399 utg. H • Rev. 1512



Series 90

CE

LVD 2006/95/EC valid until April 19th 2016
 LVD 2014/35/EU valid from April 20th 2016
 EMC 2004/108/EC valid until April 19th 2016
 EMC 2014/30/EU valid from April 20th 2016
 RoHS 2011/65/EU



SERIES 90



3MG, 4MG, 5MG



3G, 4G



3F, 4F ≤ DN50



BIV



T, TM

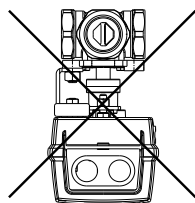
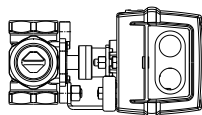
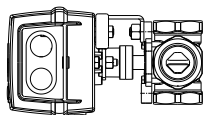
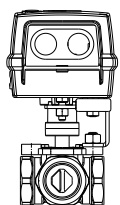


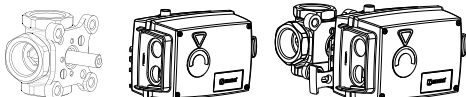
3HG, 4HG, 3H, 4H



VRG, VRB, VRH

1





SERIES 90
ESBE
BY HYDRAE SYSTEM CONTROL

+



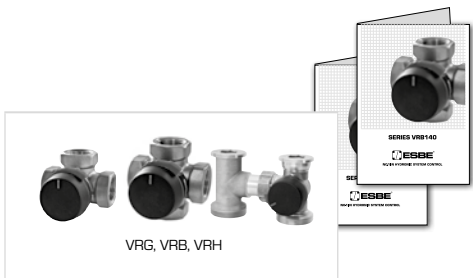
ADAPTER KIT VRG801



ADAPTER KIT VRG900

+

+



VRG, VRB, VRH



3G, 4G

3F, 4F

3MG, 4MG, 5MG

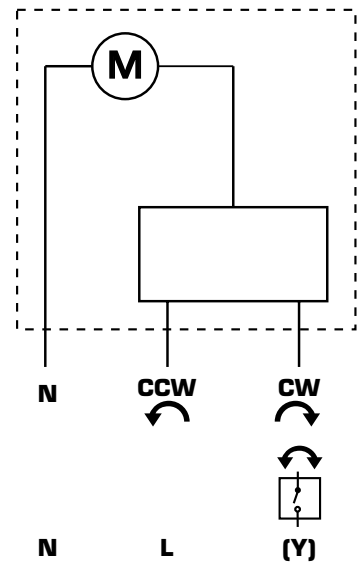
BIV

T, TM

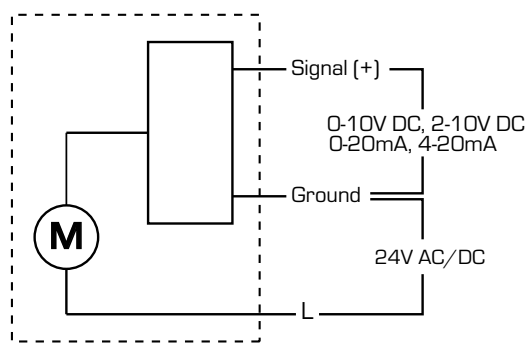
3HG, 4HG, 3H, 4H

2

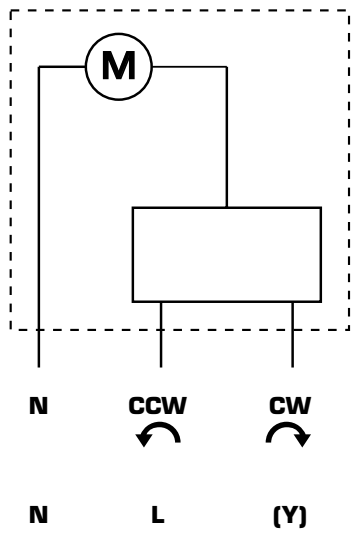
97 - 98



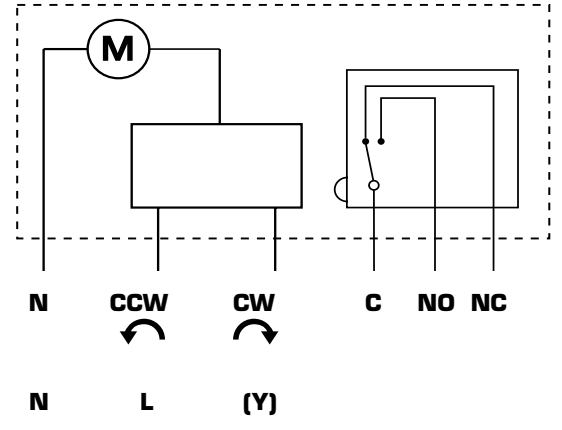
92P, 92P2, 92P4

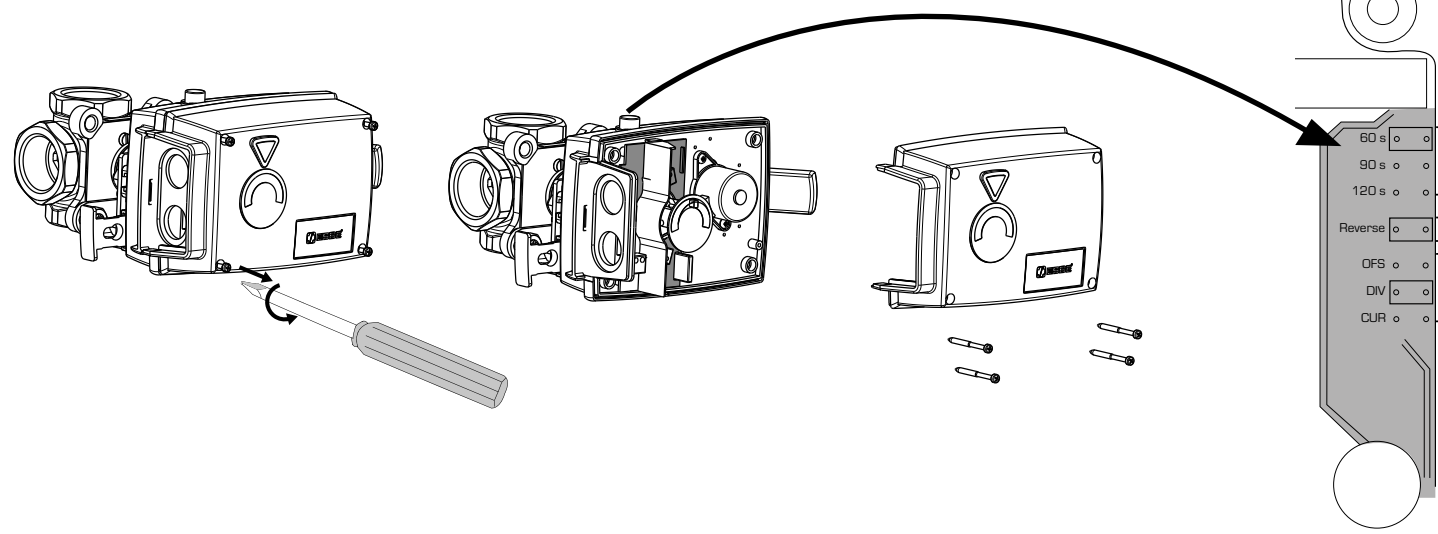
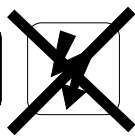


91 - 96, 90SL



91M - 96M



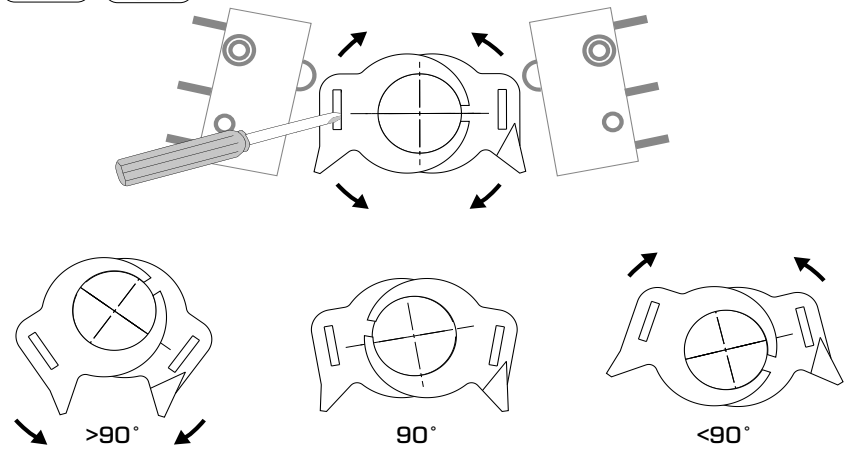
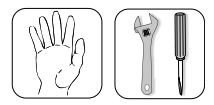
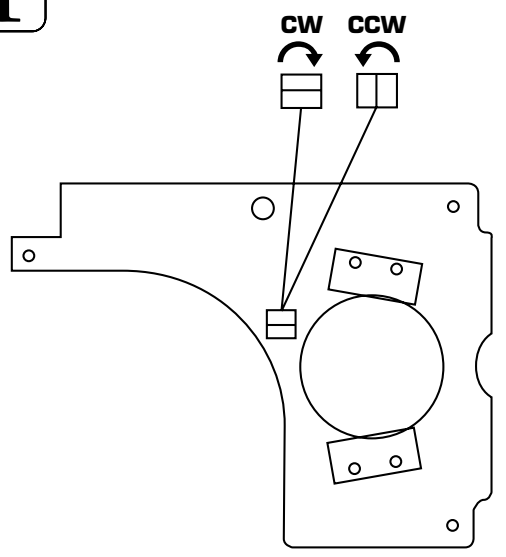


91P - 92P, 92P2, 92P4

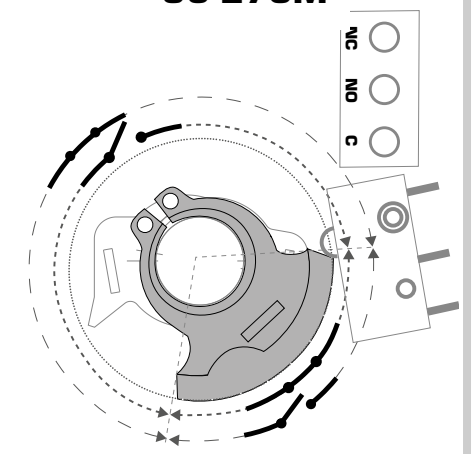
92P	92P2	92P4	
60 s <input type="checkbox"/> <input type="checkbox"/>	120 s <input type="checkbox"/> <input type="checkbox"/>	130 s <input type="checkbox"/> <input type="checkbox"/>	
90 s <input type="checkbox"/> <input type="checkbox"/>	180 s <input type="checkbox"/> <input type="checkbox"/>	260 s <input type="checkbox"/> <input type="checkbox"/>	
120 s <input type="checkbox"/> <input type="checkbox"/>	240 s <input type="checkbox"/> <input type="checkbox"/>	390 s <input type="checkbox"/> <input type="checkbox"/>	
60 s <input type="checkbox"/> <input type="checkbox"/>	120 s <input type="checkbox"/> <input type="checkbox"/>	130 s <input type="checkbox"/> <input type="checkbox"/>	
90 s <input type="checkbox"/> <input type="checkbox"/>	180 s <input type="checkbox"/> <input type="checkbox"/>	260 s <input type="checkbox"/> <input type="checkbox"/>	
120 s <input type="checkbox"/> <input type="checkbox"/>	240 s <input type="checkbox"/> <input type="checkbox"/>	390 s <input type="checkbox"/> <input type="checkbox"/>	
Reverse <input type="checkbox"/> <input type="checkbox"/>			
Reverse <input type="checkbox"/> <input type="checkbox"/>			
0-20 mA	OFS <input type="checkbox"/> <input type="checkbox"/> DIV <input type="checkbox"/> <input type="checkbox"/> CUR <input type="checkbox"/> <input type="checkbox"/>		
4-20 mA	OFS <input type="checkbox"/> <input type="checkbox"/> DIV <input type="checkbox"/> <input type="checkbox"/> CUR <input type="checkbox"/> <input type="checkbox"/>		
0-10 V	OFS <input type="checkbox"/> <input type="checkbox"/> DIV <input type="checkbox"/> <input type="checkbox"/> CUR <input type="checkbox"/> <input type="checkbox"/>		
2-10 V	OFS <input type="checkbox"/> <input type="checkbox"/> DIV <input type="checkbox"/> <input type="checkbox"/> CUR <input type="checkbox"/> <input type="checkbox"/>		
0-5 V	OFS <input type="checkbox"/> <input type="checkbox"/> DIV <input type="checkbox"/> <input type="checkbox"/> CUR <input type="checkbox"/> <input type="checkbox"/>		
1-5 V	OFS <input type="checkbox"/> <input type="checkbox"/> DIV <input type="checkbox"/> <input type="checkbox"/> CUR <input type="checkbox"/> <input type="checkbox"/>		



97 - 98



91M-96M, 95-270M



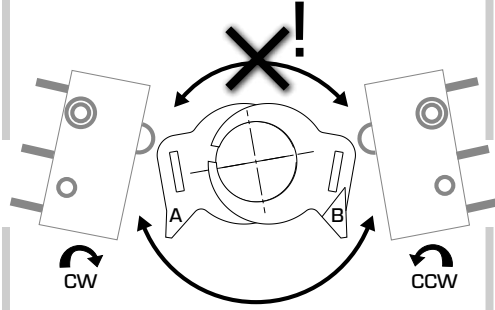
NC ---
NO - - -



91-96, 91M-96M,
90SL, 97-98



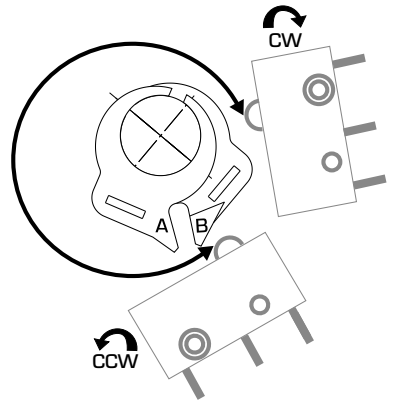
(▷) 90°



95-270M



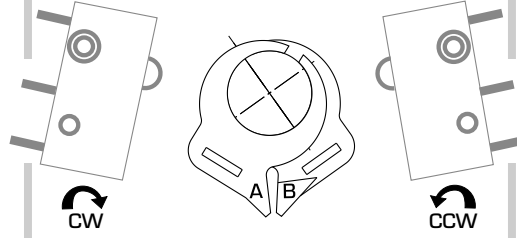
(▷) 270°



92P2



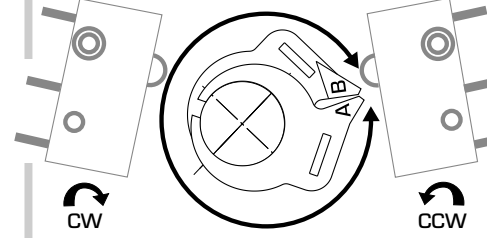
(▷) 180



92P4



(▷) 355°



6

